

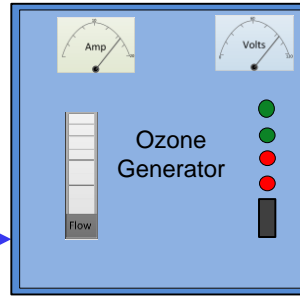
8 lb/day Ozone Remediation System

ORC-8 Ozone Generation and Control Panel



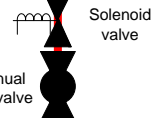
Ambient Ozone

Control Box with HMI panel



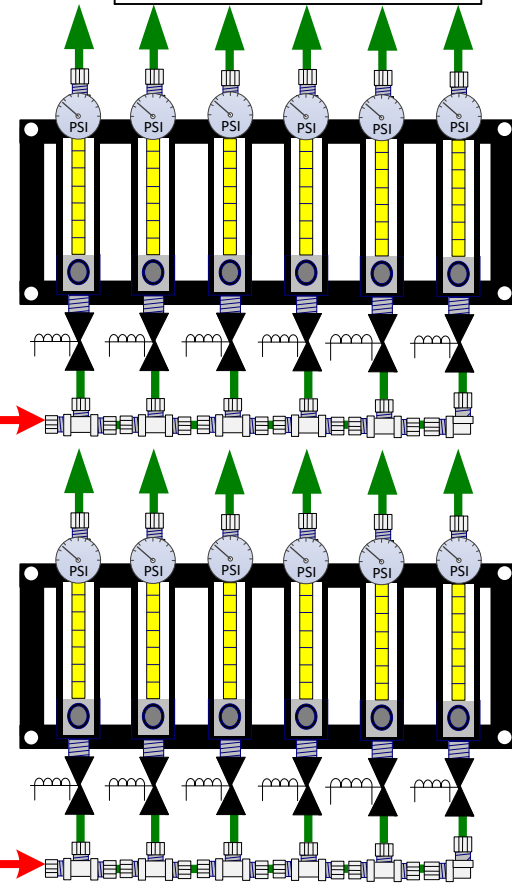
Ozone Analyzer

6% O₃

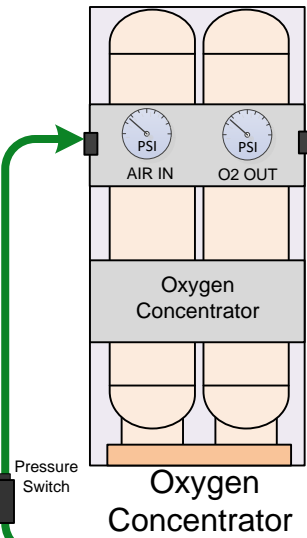


Ozone Gas

Ozone flow to each well

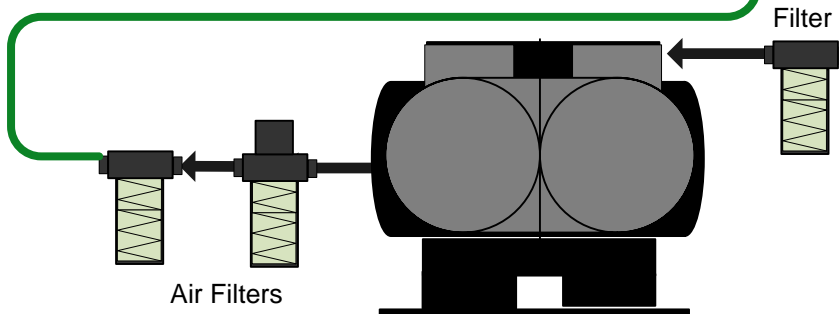


Spurge Air

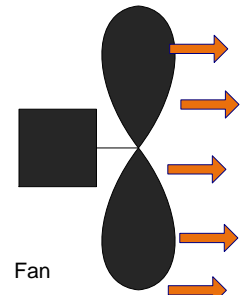


Air Tank

Refrigerant Air Dryer



Ambient Air



Fan

System installed in one enclosure.

Top of enclosure is air conditioned and sealed from the outdoor environment.

Bottom of enclosure is fan cooled to keep compressor cool