

# CDU-10K Ozone Destruct Unit



The CDU-10K will safely catalyze ozone to oxygen reliably with no consumables, making it ideal for high-capacity ozone off-gas destruction. The unit features a robust, simple design with all stainless-steel and Teflon materials contacting the ozone gas, providing excellent material compatibility and long service life. Designed for large gas flows (up to 10,000 LPM / 350 CFM), it includes bottom-inlet and top-outlet connections and is supplied with a floor stand for straightforward installation.

The CDU-10K destruct unit is provided with a lifting hook for moving, lifting, and install upon delivery.



## CDU TECHNOLOGY

The device uses a simple design with all the stainless-steel materials and carulite-200 catalyst touching ozone gas. This will provide excellent material compatibility and longevity. Replacing the catalyst material is very simple. A complete catalyst replacement kit is available that includes the required material, replacement screens and a new gasket.

## SYSTEM FEATURES

- 10,000 LPM (350 CFM) ozone gas flow capacity for both wet and dry, off-gas applications
- 99.96% efficient at rated flowrates
- The catalyst material used in the device is completely replaceable.

## APPLICATIONS

- Excess Ozone Off-Gas Destruction
- Fumigated Ozone Discharge
- Industrial & Water Treatment
- Remediation & Environmental Systems
- Food Storage & Air Handling

**Oxidation Technologies, LLC.**  
214 W Highway 18  
Inwood, IA 51240  
(515) 635-5854  
Sales@oxidationtech.com  
www.oxidationtech.com



## CUSTOMIZATIONS FOR YOUR APPLICATION

### Heater Element:

- For wet gas applications, or off-gas situations the CDU-10K must be equipped with the heater. This ensures the moisture in the air passes through the unit as a vapor.

### Blower Assembly:

- To remove the ozone from the headspace of an atmospheric tank or to actively move air and destroy ozone.

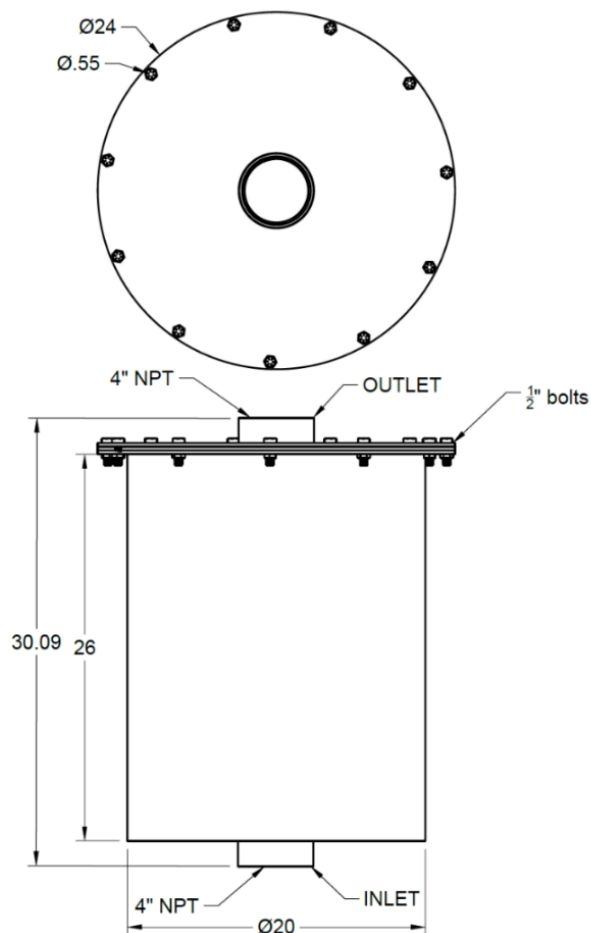


## DIMENSIONS:

- 20" diameter (tube)
- 23" overall diameter
- 25" unit height
- 24" stand height
- 4" NPT Connections
- 50" Total Height

## CARULITE 200

- The CDU units use Carulite 200 granular catalyst for ozone destruction.
- Carulite 200 is a safe material that is landfill approved and not considered a hazardous waste.



**Oxidation Technologies, LLC.**

214 W Highway 18  
Inwood, IA 51240

(515) 635-5854

Sales@oxidationtech.com

www.oxidationtech.com