

PRO₂ THE MAX SERIES

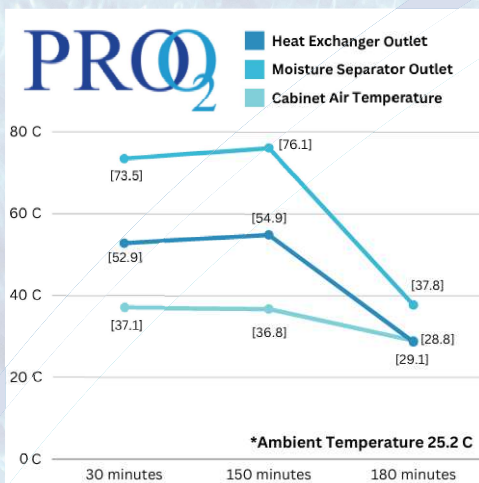
Mini MAX

605MC	705MC
115 Volt	230 Volt
60 Hz	50 Hz



Average Power Consumption	150 Watts	120 Watts
Oxygen Concentration	90% (+/- 3%) at 2 LPM	
Liter Flow	1 to 2 LPM	
Outlet Pressure	7 PSIG	
Weight	15 lbs / 6.8 kg	
Dimensions	9.5"W x 7.8"D x 9.8"H 21 cm x 20 cm x 25 cm	

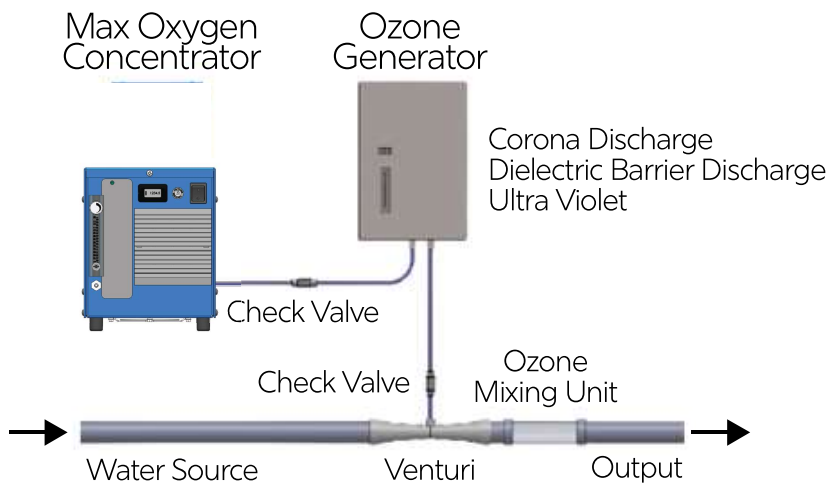
Water Cooled Models Available



The addition of water cooling technology to your ProO2 Mini Max drastically reduces the temperature of and moisture in the product gas, therefore increasing the life of your machine.

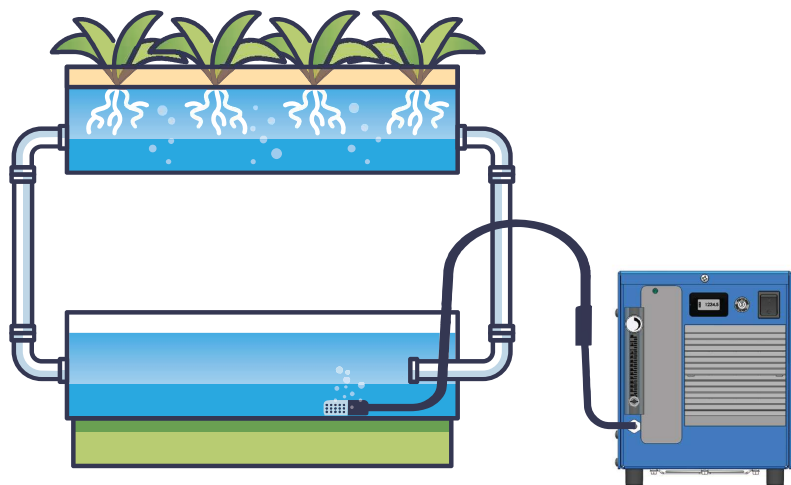


PRO₂ THE MAX SERIES



Oxygen Source
Gas for
Ozone Generation

Oxygen Source Gas
for Pond and
Aquarium Aeration



Oxygen Source Gas
for Hydroponic
Growing

2010-9500MM REV A