

SANZONATE™

AQUAFLOW 1GPM OWNER'S MANUAL



PRODUCT SPECIFICATIONS

Dimensions	13.0" x 11.0" x 6.25" (WxHxD)
Weight	9lbs14oz (4.15kg)
Max. Input Water Pressure	85PSI
Min. Input Water Pressure	32PSI
Output Flow Rate	1.0 GPM (gallons per min.)
ORP	850mV [+/- 100mV]

TABLE OF CONTENTS

INTRODUCTION.2
SAFETY WARNINGS.3 - 4
RMA PROCEDURE.5
STATEMENT OF WARRANTY.5
PRODUCT OVERVIEW.6
INSTALLATION.7 - 11
POWER.12 - 14
CHANGING THE AIR DRIER.14 - 15
CLEANING THE INLET FILTER.16 - 17
HOUR METER.18
OPERATION USAGE TIPS.19
SAFETY DATA SHEET (SDS).20 - 25

INTRODUCTION

Congratulations on the purchase of your new 1 Gallon Per Minute (GPM)-Filling Station!

Your machine was constructed with the highest level of precision and care. All new machines are rigorously inspected, tested and checked against our quality control checklist.

This manual will guide you through the installation of the equipment and provides answers to some common questions. Please read through this manual, paying careful attention to the Safety Warnings section. Keep in mind that any unnecessary damage, neglect or abuse of this machine will void your warranty. Should you have any questions regarding maintenance, replacing parts or ordering parts, please contact your authorized distributor.

If warranty questions should arise, contact your distributor for help.

Our mission is to eliminate harmful chemical consumption worldwide by developing innovative products that create an environmentally safe and renewable cleaning alternative. Our 1GPM-Filling Station is an example of this; bringing a new dimension to traditional cleaning and purification.

This electronic device produces an aqueous ozone solution at concentrations ranging from 0.75 - 1.5 ppm, on a cold city water supply. This is suitable for filling spray bottles, mop buckets, small pails, etc. Sanzonate Global, Inc. uses corona discharge ozone generators. Their output is calibrated at 700mg/hr @ 2.8 SCFH. This is higher than typical for ozone generators of this size!

The contents of this manual are based on the latest product information available at the time of publication. Sanzonate Global, Inc. reserves the right to make changes in price, color, materials, equipment, specifications or models at any time without notice.

SAFETY WARNINGS

Always provide a copy of this manual to anyone using this equipment.

There is a proper way to use this machine; training, although minimal, is recommended.

Read this manual before operating this machine to prevent the possibility of personal injury to the operator or unintentional damage to the equipment.

- **This 1 GPM Ozone Machine is intended for cleaning only, and the solution it generates may be used in place of most chemicals.**
- **DO NOT put fingers or objects near the fan guard when the device is "ON."**
- **DO NOT disassemble this device. High voltage electricity exists inside this device while it is "ON." and failure to follow this precaution could result in electrical shock**
- **Power this device with the provided wall adapter only. It uses specific ratings for correct operation. The power requirement for this device can be summarized to 12V, DC @ 6 Amps. The barrel jack used is a 5.5x2.1mm.**
- **NEVER restrict OR block the flow of solution while the unit is "ON." This machine was designed to operate with an open flow. Restricting or blocking its flow will cause water to back-up into the ozone destruct chamber. Should this happen, it will need to be replaced for the machine to function properly.**

When filling, avoid leaving the hose to drape straight down. Instead, always hold the blue solution hose in one hand, forming a "U" shaped bend in the blue solution hose. This will help fill the ozone degassing mechanism inside the machine- visible through the clear window.

Never block or restrict the flow of aqueous ozone solution being delivered from the blue solution hose. Doing so, causes water to back-flow into the ozone destruct chamber rendering it useless.

SAFETY WARNINGS (con't)

- **DO NOT COVER THE BLUE SOLUTION HOSE WITH YOUR THUMB. This can put too much back pressure on the machine and flood the ozone generators with water. If you feel your machine is not working properly, contact your distributor before attempting to fix it yourself.**
- **DO NOT RUN CHEMICALS THROUGH THIS MACHINE. THIS DAMAGES OUR MACHINE AND WILL VOID THE WARRANTY.**
- **DO NOT block the fan filter when the machine is ON.**
- **DO NOT remove the cover or disassemble this device unless instructed to do so.**
- **CAUTION high voltage electricity is present inside this machine when it is ON.**
- **NEVER touch the ozone cells while the machine is running failure to follow this precaution could result in electrical shock.**
- **A dark colored stain or droplet underneath your device, indicates a wet destruct chamber. Contact your distributor for a replacement.**
****OZONE GAS CANNOT BE DESTROYED IF THE DESTRUCT MEDIA IS WET. IT IS NOT ADVISED TO OPERATE THIS MACHINE UNTIL THE DESTRUCT CHAMBER IS REPLACED.**

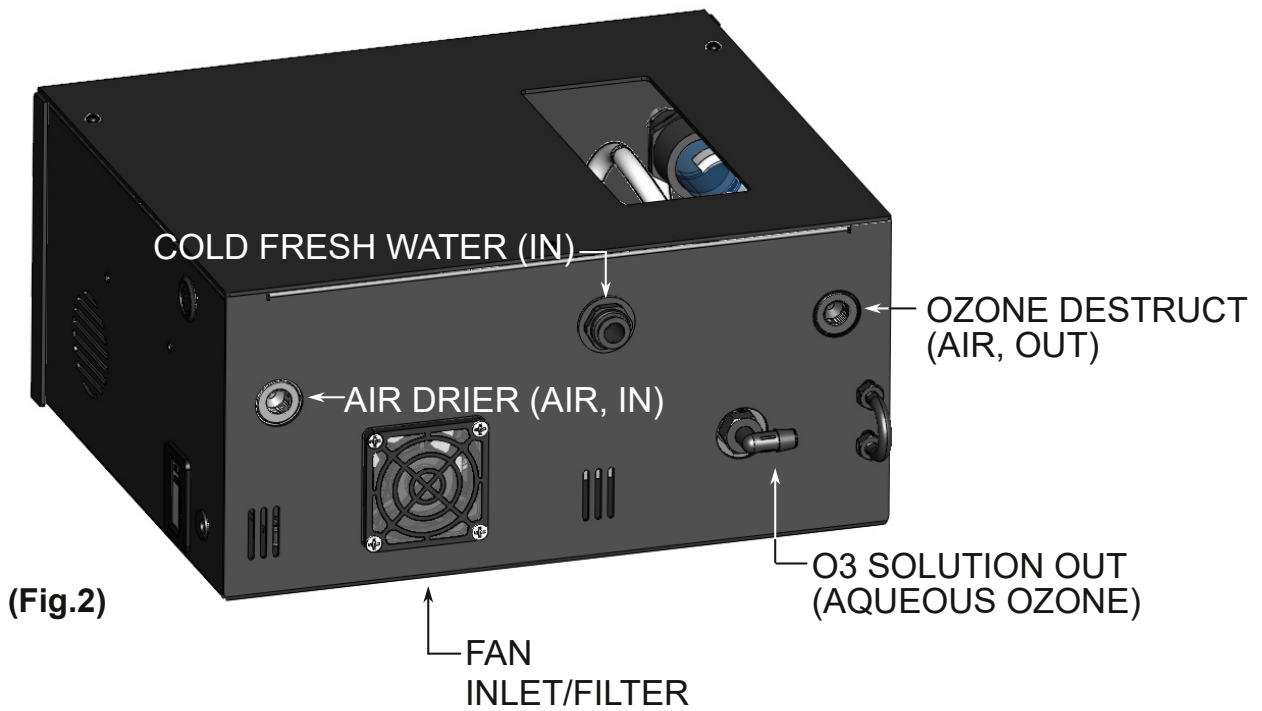
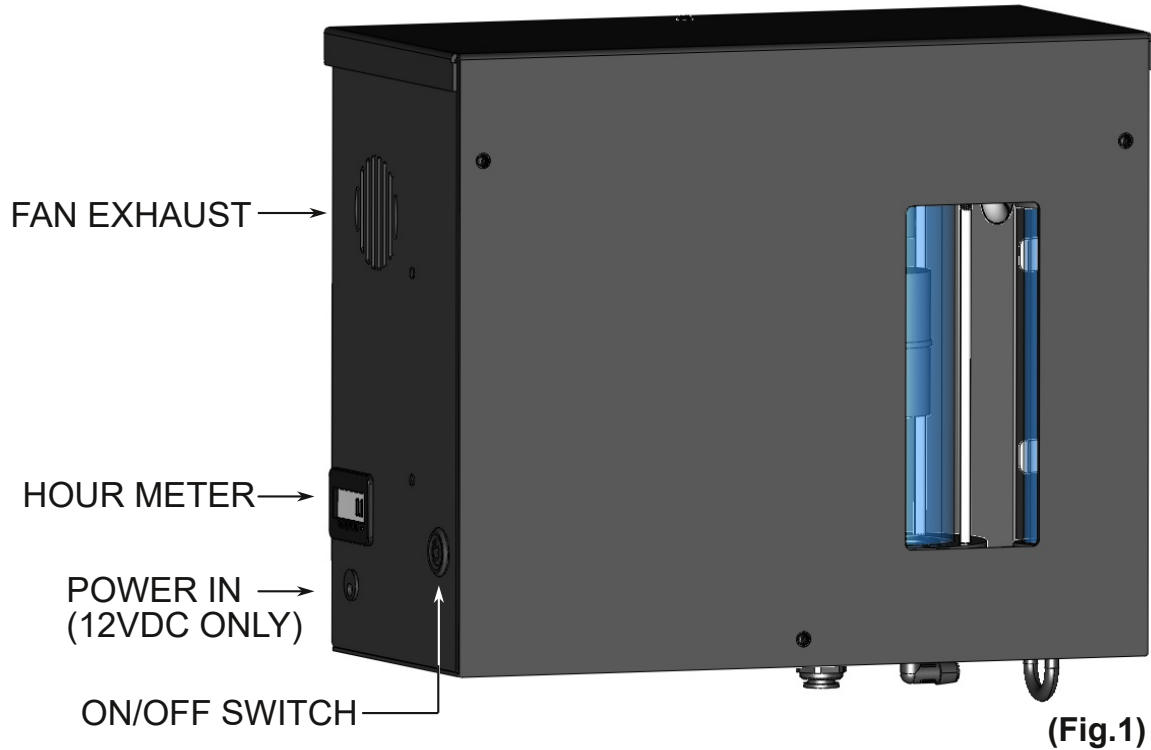
STATEMENT OF WARRANTY

Sanzonate Global, Inc. makes every effort to assure our products meet high quality and durability standards, and warrants to the original purchaser this product free from defects in materials and workmanship for the period of 365 days beginning on the date of purchase or order. Sanzonate Global, Inc. in no event will be liable for injuries to persons or property, or for incidental and contingent, special or consequential damages arising from the use of our product. Neither Sanzonate Global, Inc. nor any affiliate of Sanzonate Global, Inc. shall be responsible to customer or others for lost revenues, lost profits, or other special, incidental, direct, indirect, or consequential damages or for loss or damage or other expenses directly or indirectly arising from customer(s), or any other person(s) use or inability to use Sanzonate Global, Inc. product or for commercial loss of any kind. No recovery against Sanzonate Global, Inc.. Whether in contract, tort (including negligence), strict liability or otherwise, shall be greater than the amount paid by the customer for any Sanzonate Global, Inc. product.

Some states do not allow the exclusion or limitation of incidental or consequential damages, so the above limitation or exclusion may not apply to you.

PRODUCT OVERVIEW

Take a moment to familiarize yourself with the unit. (Fig.1)
Note the orientation of the inlet and outlet ports. (Fig.2)



INSTALLATION

Installations may not be identical to this manual. If you need help or have any questions contact your distributor.

YOU WILL NEED:

Included: Screws | Plastic Anchors | Mounting Template

Not Included: Tape | Pencil/Pen | Scissors

(For Drywall)

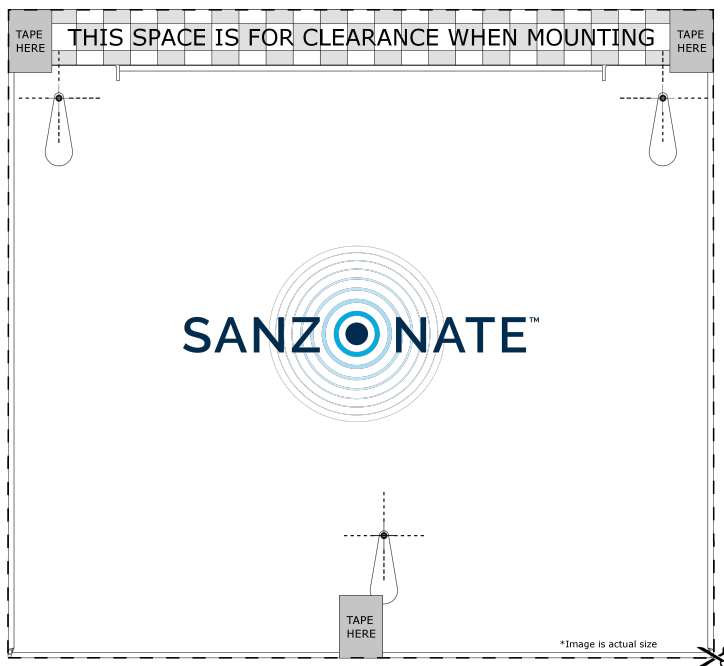
- 5/16" Drill Bit
- Phillips screwdriver/drill

(For Concrete)

- 5/16" Masonry Bit
- Hammer Drill
- Hammer or Mallet
- Phillips screwdriver/drill

Step 1: Determine the best suitable location for mounting your unit.
- Mount the unit a minimum of 4ft. above the floor
- And within 4ft. of the electrical outlet intended to power the unit.

Step 2: Cut the template along the dashed line with scissors.
- Place a piece of tape on each top corner of template.
- Secure the template against the wall. (Fig.3)



Tape can be looped to make it double-sided.

Stick it to the back of the level, then stick the level to the top-center of the template. (Fig.3)

INSTALLATION (con't)

Step 3: Drill the holes for the anchors.

Drywall:

- Use a 5/16" drill bit on the three (3) marks.
- Remove the template from the wall.
- Lightly tap the anchors into each hole until they are flush against the wall.
- Start the screws [#10-32 x 1-1/4] by hand until you can switch to a screwdriver/drill to finish tightening. Stop when head is 1/4" away from the wall. (Fig. 4)



(Fig.4)

Concrete:

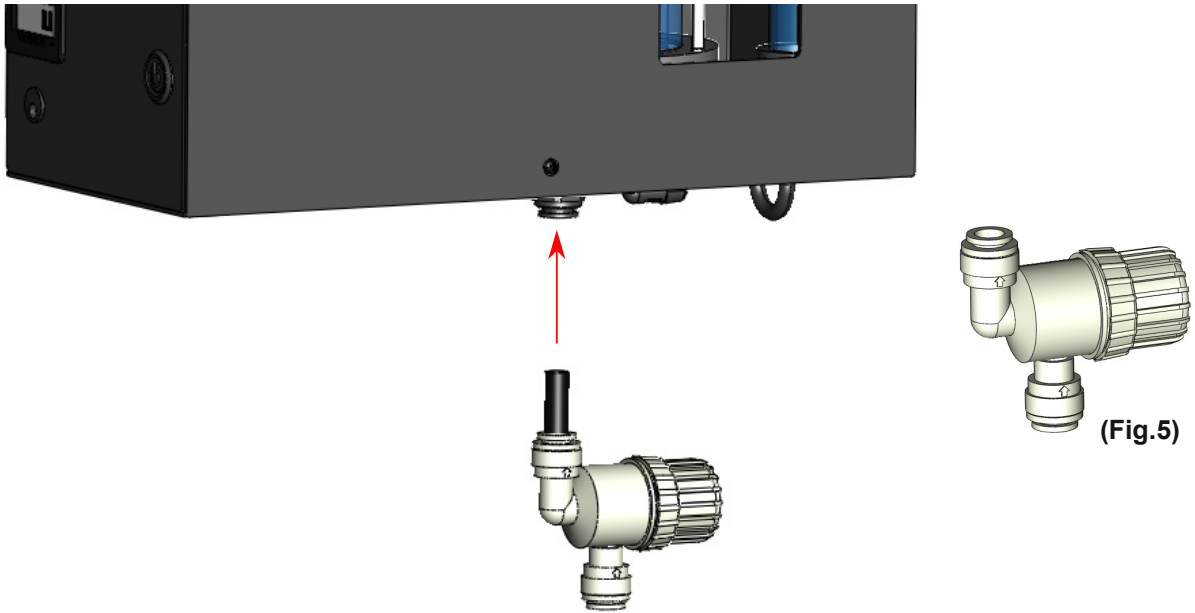
- Use a 5/16" masonry drill with a hammer drill and drill holes on the three (3) marks.
- Remove the template from the wall.
- Lightly tap the plastic anchors into each hole until they are flush against the wall.
- Start the screws [#10-32 x 1-1/4] by hand until you can switch to a screwdriver/drill to finish tightening. Stop when the screw head is 1/4" off the wall (Fig.4).

Step 4: Hang the machine over the screw heads while aligning with the keyholes on the back of the machine.

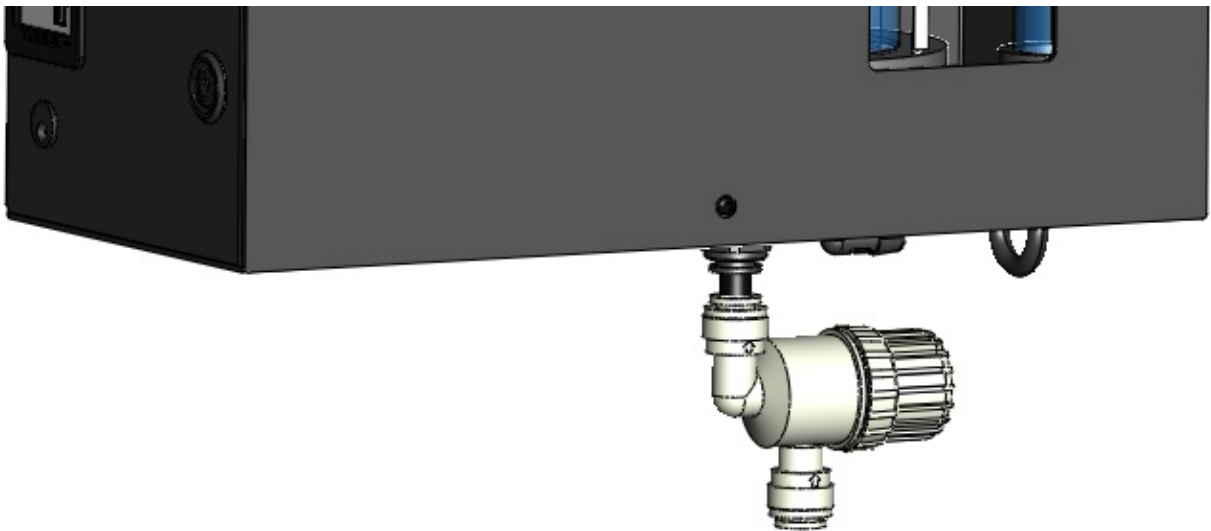
- It should hang tight against the wall.
- If necessary, remove the unit and slightly tighten the screws, re-fitting until it's snug.

INSTALLATION (con't)

- Step 5:** Connect the filter (Fig. 5) to the INLET port located on the bottom-left of the unit. (Fig. 6)
- Arrows are located on the side of the filter and should point toward the 1GPM.



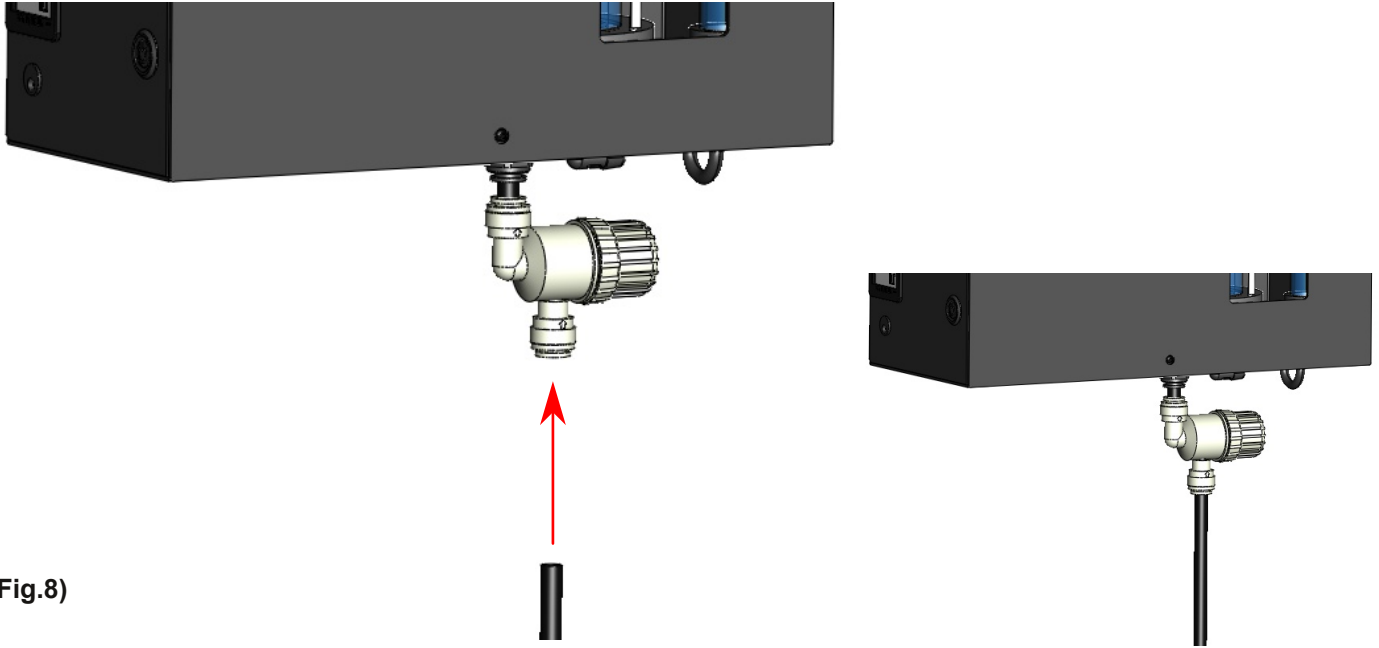
(Fig.6)



(Fig.7)

INSTALLATION (con't)

Step 6: Connect the black 3/8" tubing into the bottom of the filter. (Fig. 8)



(Fig.8)

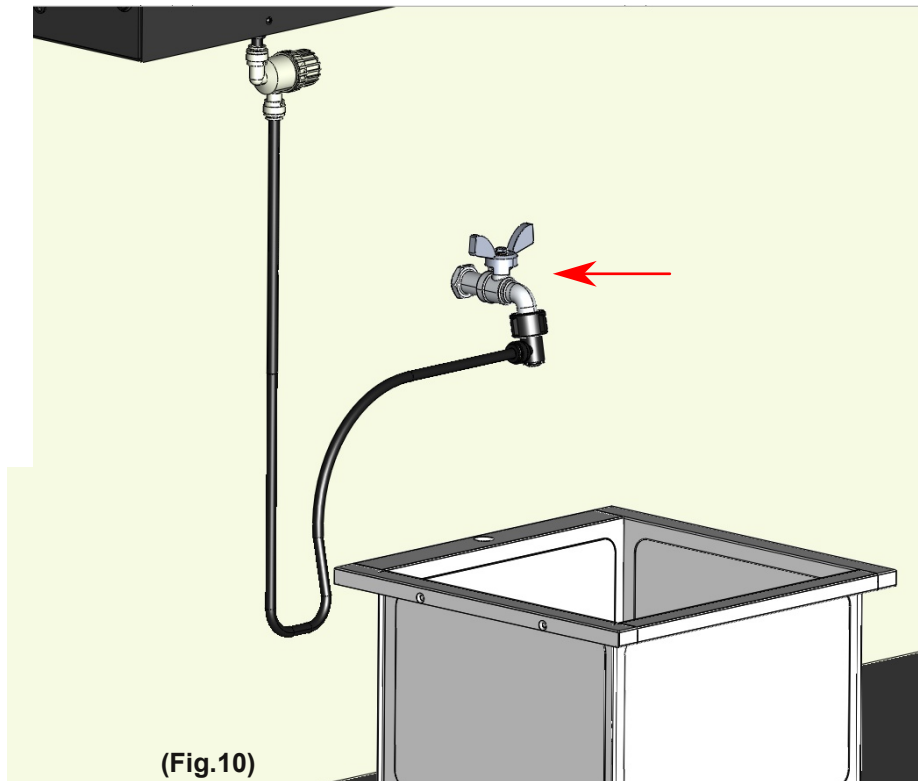
Step 7: Connect the 360° swivel adapter to the cold water supply. (provided) (Fig.9)

- A 3/4" garden faucet is a common connection point. (Fig.10)
- The remaining end of black tubing connects to the swivel adapter.
- You may now, slowly, turn ON the water supply.

If you have a different style faucet or need assistance, contact your distributor.



(Fig.9)

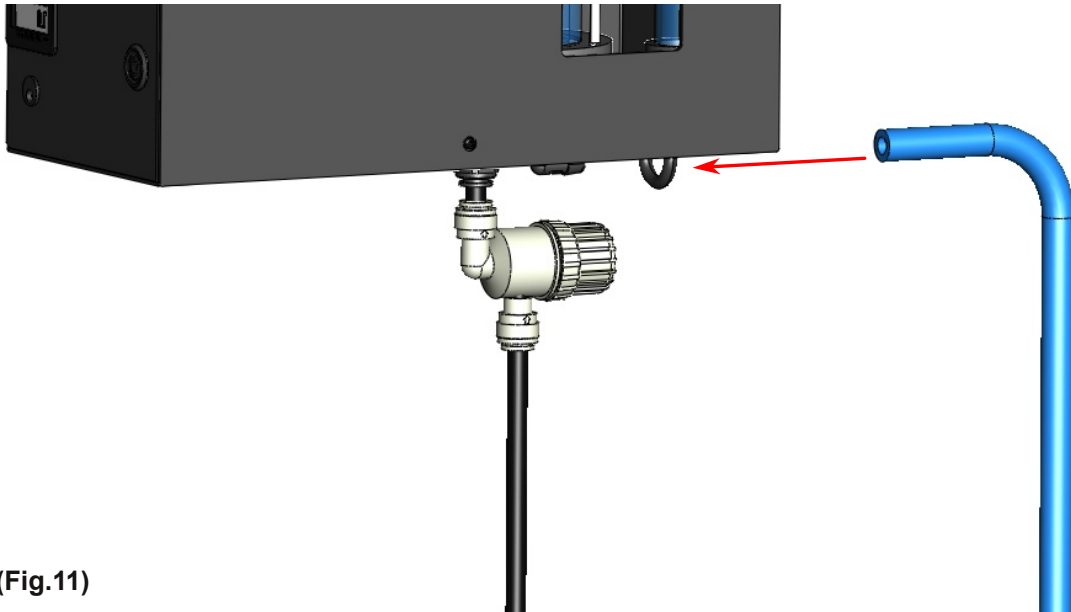


(Fig.10)

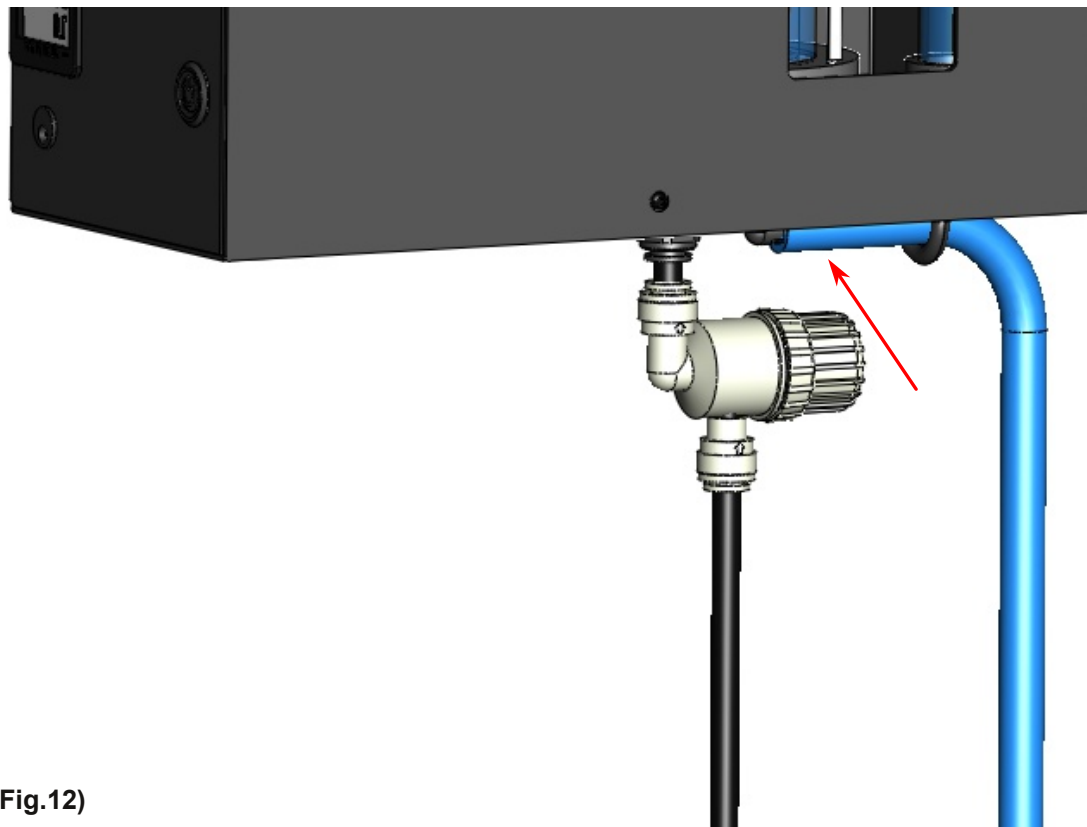
INSTALLATION (con't)

- Step 8:** Connect the blue hose to the black hose barb 90° fitting on the bottom-right of the 1GPM.
- Slide the hose through the U-bolt and onto the barb with a slight twisting motion. (Fig.11)

There is very little pressure in the blue solution hose; a clamp is not needed. (Fig12)



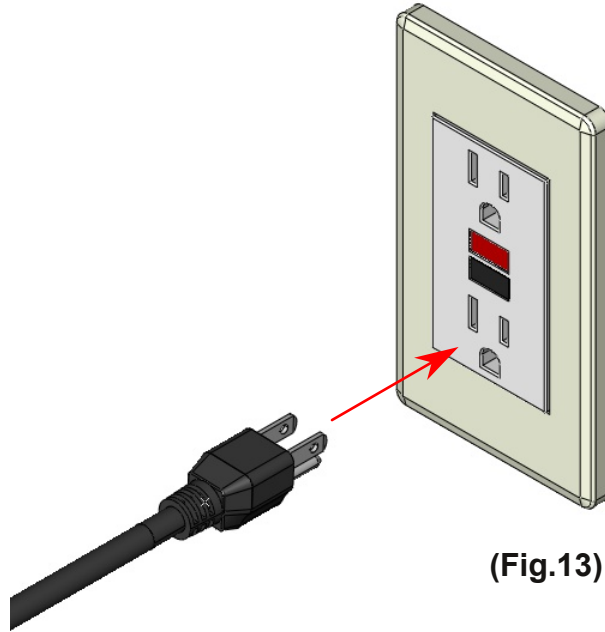
(Fig.11)



(Fig.12)

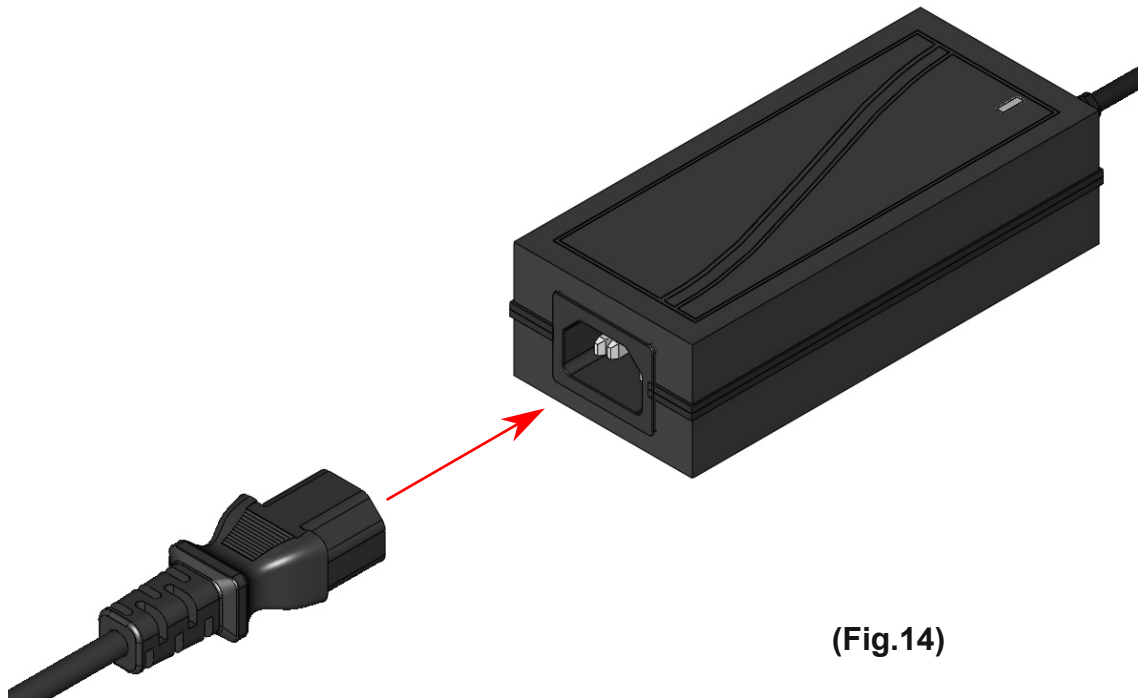
POWER

- Step 9:** Connect the 3-prong male end into a wall outlet, preferably a GFCI. (Fig.13)
- The 1GPM uses a 12V DC power adapter and can be used with voltages between 100-240V~ 50/60Hz.



(Fig.13)

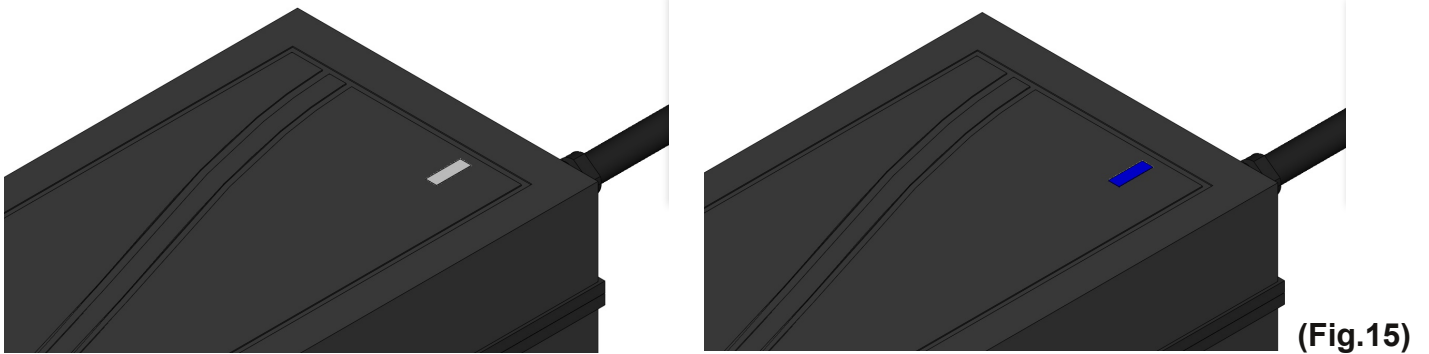
- Step 10:** Connect the IEC plug into the adapter (Fig.14z)
- Make certain the IEC plug is fully inserted before moving forward.



(Fig.14)

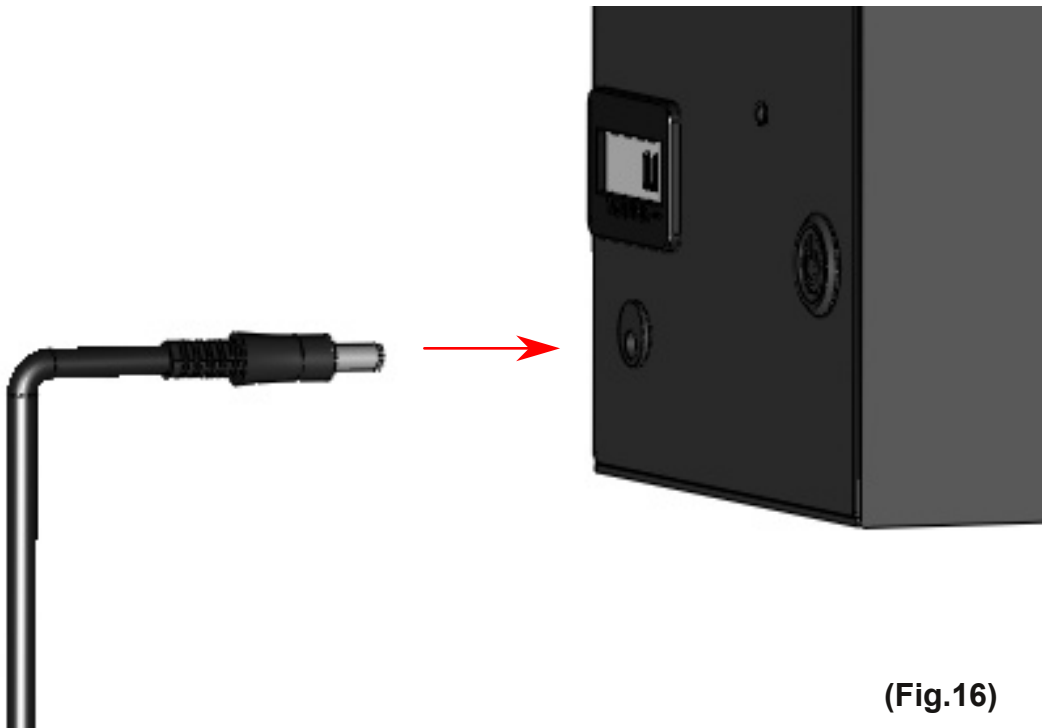
POWER (con't)

Step 11: Verify the blue LED on the 12V adapter is illuminated. (Fig.15)



NOTE: If the blue LED does not illuminate, contact your sales representative for assistance.

Step 12: Connect the barrel jack from the power adapter into the power port located on the lower-left side of the unit. (Fig.16)

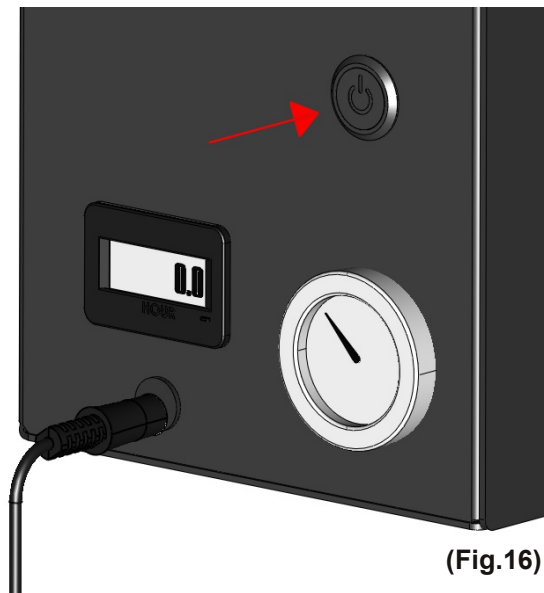


POWER (con't)

Great job! You are finished with the installation and may begin using your NEW AQUAFLOW 1GPM Fill Station.

To Use: Press-in the black ON/OFF switch located on the lower-left side of the unit. (Fig.16)

A **BLUE** light will illuminate at the switch and also inside the viewing window.

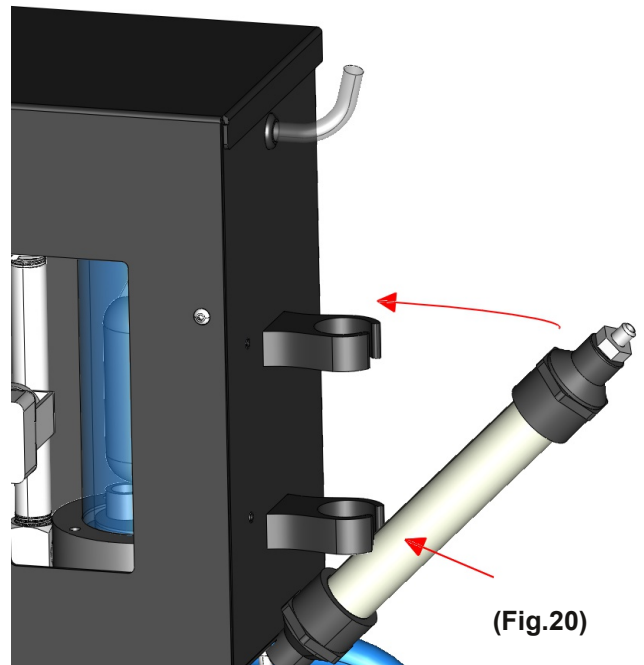
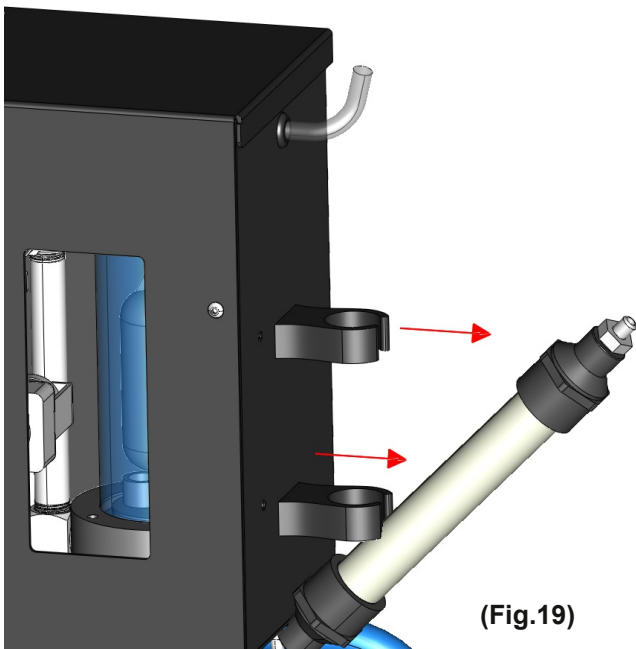
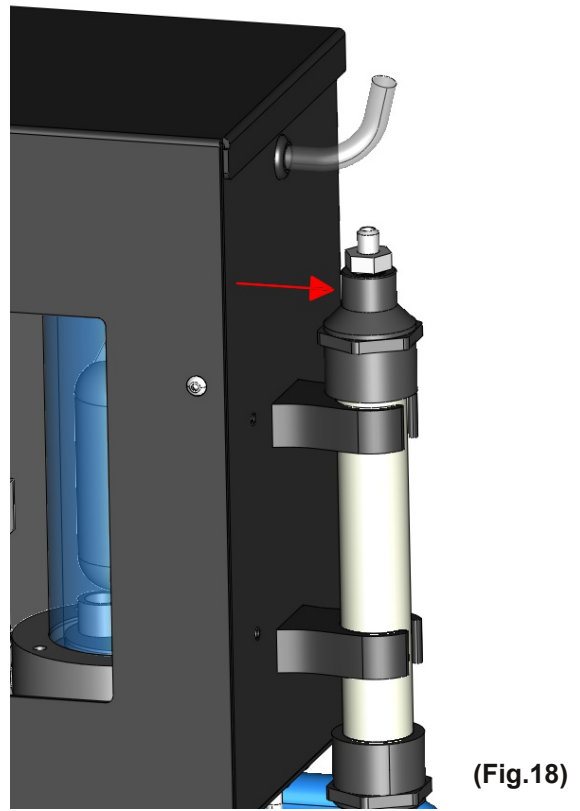
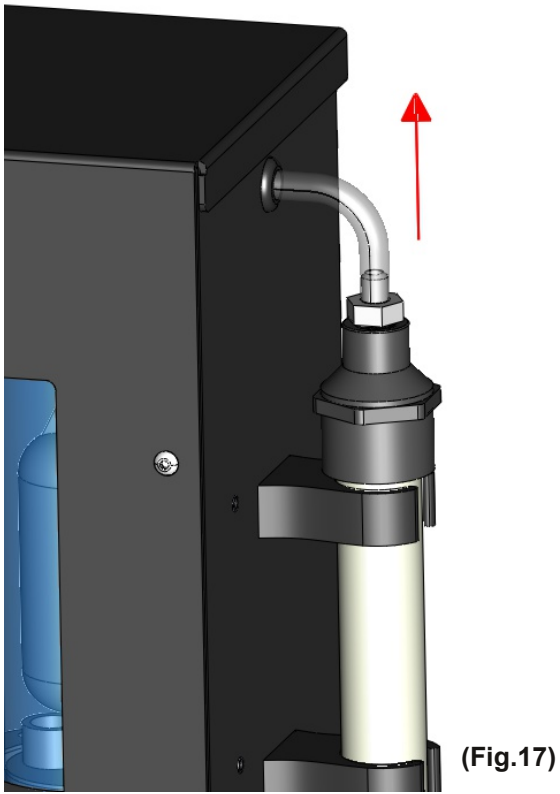


CHANGING THE AIR DRIER

The 1 GPM Fill Station uses the most advanced drying media to filter the air before entering the ozone generators. This media is hydro-absorbent, soaking up microscopic particles of water from the incoming air while filtering out dust.

1. Disconnect the tubing from the air drier. (Fig.17)
2. Hold the top of the air drier, pull away from the 1GPM unit. (Fig.18) & (Fig.19)
3. Discard the old air drier.
4. Remove new air drier from vacuum packaging.
5. Hold the new air drier at an angle to ensure the bottom clip is the first to get secured.
(Fig.20)
6. Push firmly, until the air drier is secured to both clips.
7. Reconnect the tubing to the new hose barb.

CHANGING THE AIR DRIER



CLEANING THE INLET FILTER

A 100 mesh (150 microns) inlet water filter is used to prevent foreign objects from obstructing the flow of solution inside your 1GPM. Keeping the filter screen clean will help prevent unnecessary maintenance issues and prolong the life of your equipment.

We recommend after the first week from installation the screen inside the inlet water filter should be inspected. Early inspections allow you to assess the quality of the source water which will help determine the best maintenance schedule:

- If the filter is **clean**, continue inspections every 3-months.
- If the filter **needs to be cleaned**, you will want to perform inspections more frequently (weekly) and may want to consider a larger pre-filter to be installed ahead of the 1GPM.

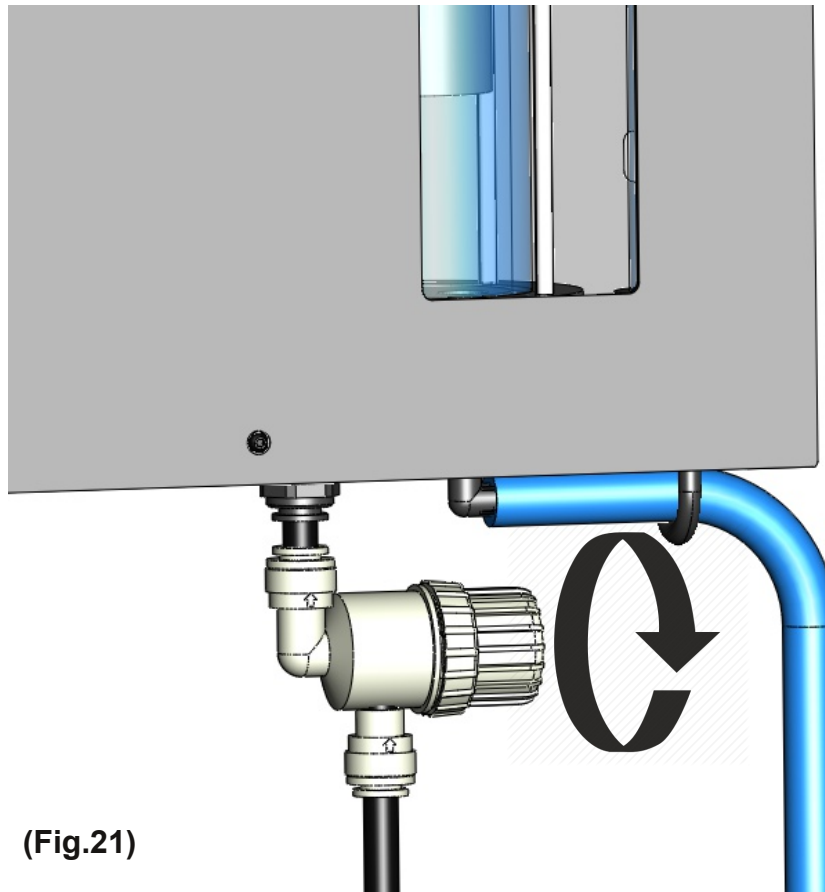
To Clean the filter:

- Locate the water source and temporarily turn it, "**OFF**".
- Release pressure by briefly, turning powering "**ON**", to "**OFF**".
- Place a cup under the filter cap; there will be some water.
- Unscrew the filter cap from the main body. (Turn Left) (Fig.21)
- Pull the blue screen out to inspect it for rocks or mud. (Fig.22)
- If dirty, rinse the screen under a faucet with running water.

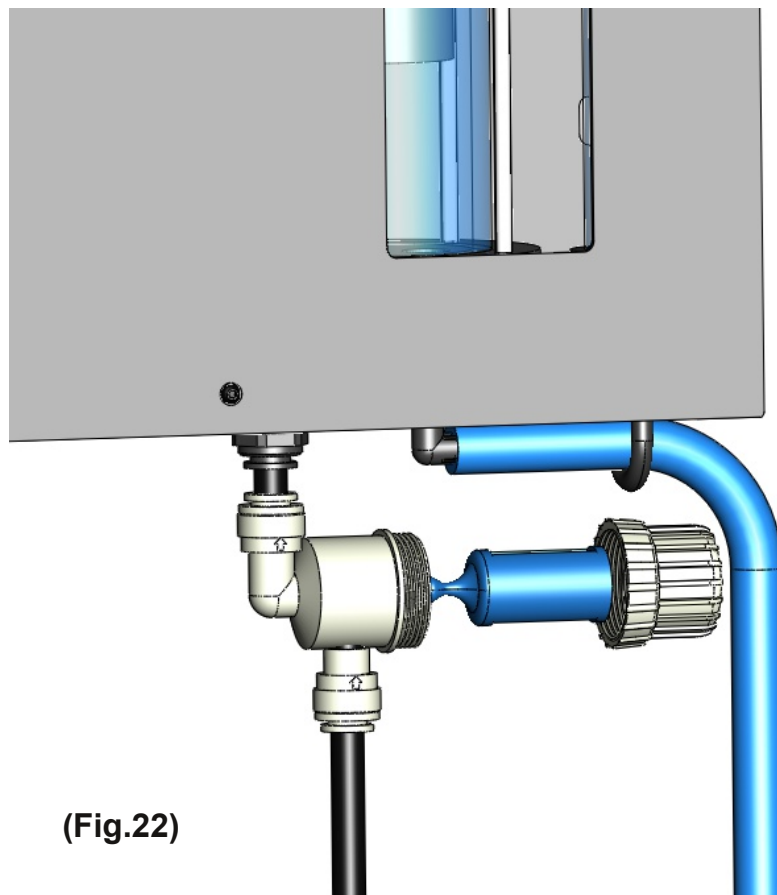
Reassembling the filter:

- Align the raised ring on the inside-bottom of the filter cap with the opening on the bottom of the blue filter screen.
- Re-install the screen and cap. (Turning Right).
DO NOT USE TOOLS to tighten the cap. Hand tighten only.
- Slowly turn ON the supply water valve.
- Check for leaks.

CLEANING THE INLET FILTER (con't)



(Fig.21)



(Fig.22)

HOUR METER

A digital hourglass will flash on the screen while in operation.
The hour meter is Non-Resettable.

Display Resolution:
Until Total Running Hours (H) pass 10000H:
display resolution is 0.1 ≈ 6 minutes

After 10000 hours
the display resolution changes to 1H

Change Filter Notification: "CLEAN
AIR FILTER", "NOW"
The hour meter has been
programmed to display an alert
message indicating that it is time to
replace the air drier. The setpoint for
the alarm starts at 400H and counts
down.

Main interface--Displays the total working hours.

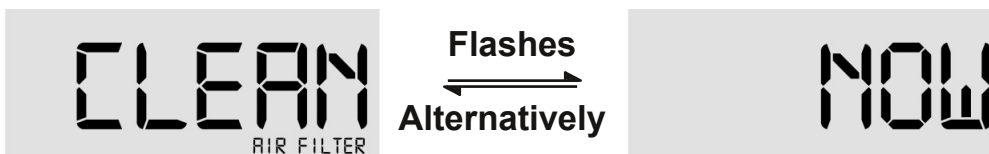


Pressing the button once displays countdown alarm total



Alarm Screen

When the countdown reaches 0H, "CLEAN AIR FILTER" & "NOW" will flash back and forth. Press and hold the button on the front of the hour meter for 5s to clear the reminder alarm and reset the timer to 400H.



Pressing and holding the button for 10s will reset the countdown alarm total to 400H.

OPERATION USAGE TIPS

When using the 1GPM:

- There is a direct link between the height of aqueous ozone in the degassing chamber and the height where the blue solution hose is held while filling.
- The lower you hold the blue solution hose, the lower the column of aqueous ozone in the degassing chamber.
- The column of aqueous ozone needs to reach and lift the white float, but not exceed past it.
- It is always better to start off filling at a lower height, than high. To get comfortable with this, look through the viewing window and slowly raise and lower the container while you fill. No harm will come to the 1GPM, so long as you don't raise too high.
- Hold the solution hose outward and in-front of you while filling.
- A typically "good" height to hold the hose ranges between the waist and chest.
- When operating properly the white float and column of aqueous ozone will continuously lift and fall. (fairly minor)
- The aqueous ozone solution being dispensed from the 1GPM will ALSO have a slight "eb and flow". Indicating **GOOD** working condition.

If the degasser will not fill or won't stay full:

- Try to raise the height where you are filling. This will add slight back-pressure to the degassing chamber and the aqueous ozone column should start to rise.

DO NOT USE YOUR THUMB TO CREATE THE BACK-PRESSURE!



Sanzonate Global, Inc. Aqueous Ozone Solution

Safety Data Sheet

according to the federal final rule of hazard communication revised on 2012 (HazCom 2012)

Date of issue: 06/01/2022

Revision date: 03/01/2023

Printed:03/01/2023 Version: 4.0

SECTION 1: Identification of the substance/mixture and of the company/undertaking

1.1. Product identifier

Product name : Sanzonate Global, Inc. Aqueous Ozone Solution
Product code : n/a

1.2. Relevant identified uses of the substance or mixture and uses advised against

Use of the substance/mixture : For professional use only
Disinfectant/
Antimicrobial/Surface
Cleaning

Use advised against : None identified

1.3. Details of the supplier of the safety data sheet

SANZONATE GLOBAL INC.
12020 Shamrock Plaza Suite
200 Omaha, NE 68154

Tel: 1-855-424-6723

1.4. Emergency telephone number

Emergency number : (1-855-424-6723 - 24 HOURS)

SECTION 2: Hazards identification

2.1. Classification of the substance or mixture

Classification

Not Classified

2.2. Label elements

Labelling

No labelling applicable

2.3. Other hazards

No additional information available : None known

2.4. Unknown acute toxicity

Not applicable

SECTION 3: Composition/information on ingredients

3.1. Substances

Not applicable

3.2. Mixture

This mixture does not contain any substances to be mentioned according to the criteria of section 2.2 of HazCom 2012. Dissolved ozone gas in water 0 to 2.0 ppm.

[§] The signal word, warning, is required under OSHA Hazards Communication Standard, 29 CFR 1910.1200, and is not meant to represent EPA pesticide labelling under FIFRA.

Sanzonate Global, Inc. Aqueous Ozone Solution

Safety Data Sheet

according to the federal final rule of hazard communication revised on 2012 (HazCom 2012)

SECTION 4: First aid measures

4.1. Description of first aid measures

First-aid measures after inhalation	: Inhalation of aqueous ozone may lead to irritation of the lungs. If breathing is difficult, remove victim to fresh air and keep at rest in a position comfortable for breathing. If exposure symptoms persist, seek medical advice.
First-aid measures after skin contact	: Not known to cause irritation, but if skin irritation occurs, wash well with fresh water. If skin irritation persists, seek medical attention.
First-aid measures after eye contact	: If eye irritation occurs with exposure to aqueous ozone, it is suggested to efficiently rinse eye with potable water for 5 minutes. Remove contact lenses, if present and easy to do. Continue rinsing. If eye irritation persists: Get medical advice and attention.
First-aid measures after ingestion	: No specific measures have to be taken if the product is swallowed.

4.2. Most important symptoms and effects, both acute and delayed

Not known to be harmful to health in normal use.

4.3. Indication of any immediate medical attention and special treatment needed

Treat symptomatically.

SECTION 5: Firefighting measures

5.1. Extinguishing media

Suitable extinguishing media : Use fire-extinguishing media appropriate for surrounding fire.

Unsuitable extinguishing media : None to our knowledge.

5.2. Special hazards arising from the substance or mixture

None known.

5.3. Advice for firefighters

Firefighting instructions : No special requirements.

Protective equipment for firefighters : No additional risk management measures required.

Other information : NA

SECTION 6: Accidental release measures

6.1. Personal precautions, protective equipment and emergency procedures

General measures : Spilled material may present a slipping hazard.

6.2. Environmental precautions

None known.

6.3. Methods and material for containment and cleaning up

Methods for cleaning up : Allow the residual product to evaporate. No special procedures required.

6.4. Reference to other sections

For further information refer to section 8: Exposure-controls/personal protection. For disposal of residues refer to section 13: Disposal considerations.

Sanzonate Global, Inc. Aqueous Ozone Solution

Safety Data Sheet

according to the federal final rule of hazard communication revised on 2012 (HazCom 2012)

SECTION 7: Handling and storage

Precautions for safe handling : Aqueous ozone solution should not be sprayed as an aerosol to avoid the release of ozone gas out of aqueous ozone solution. The decay rate of ozone gas is related to temperature and organic material exposure. Testing has proved that the rate of ozone gas released from aqueous ozone solution is below the PEL established by OSHA for gaseous ozone. Avoid extended periods of use in confined areas without proper ventilation.

7.1. Conditions for safe storage, including any incompatibilities

Storage conditions : No special measures required.

Incompatible materials : Natural rubber components may degrade or dry-out over time with extended use.

Maximum storage period : 3 year If stored indoors with no direct sunlight or wide temperature swings, the storage period may be extended to 5 years.

7.2. Specific end use(s)

No additional information available

SECTION 8: Exposure controls/personal protection

8.1. Control parameters

No additional information available

8.2. Exposure controls

Appropriate engineering controls : Handle in accordance with good industrial hygiene and safety procedures.

Personal protective equipment : No special equipment needed under normal conditions.

Sanzonate Global, Inc. Aqueous Ozone Solution

Safety Data Sheet

according to the federal final rule of hazard communication revised on 2012 (HazCom 2012)

SECTION 9: Physical and chemical properties

9.1. Information on basic physical and chemical properties

Physical state	: Liquid
Color	: Colorless
Odor	: Fresh
Odor threshold	: No data available
pH	: No data available
Relative evaporation rate (butyl acetate=1)	: = 1
Melting point	: No data available
Freezing point	: No data available
Boiling point	: 100 °C (212 °F)
Flash point	: No data available
Auto-ignition temperature	: Not applicable
Decomposition temperature	: No data available
Flammability (solid, gas)	: Not applicable
Vapor pressure	: 2.3 kPA (20 °C)
Relative vapor density at 20 °C	: 0.62
Relative density	: No data available
Solubility	: Water: completely soluble
Log Pow	: No data available
Log Kow	: No data available
Viscosity, kinematic	: No data available
Viscosity	: No data available
Explosive properties	: No data available
Oxidising properties	: No data available
Explosive limits	: No data available

9.2. Other information

No additional information available

SECTION 10: Stability and reactivity

10.1. Reactivity

No dangerous reactions known under normal conditions of use.

10.2. Chemical stability

Stable.

10.3. Possibility of hazardous reactions

No dangerous reactions known.

10.4. Conditions to avoid

None under normal conditions.

10.5. Incompatible materials

Natural rubber components may degrade or dry-out over time with extended use.

10.6. Hazardous decomposition products

None known.

SECTION 11: Toxicological information

11.1. Information on toxicological effects

Acute toxicity : Not classified
(Based on available data, the classification criteria are not met)

Sanzonate Global, Inc. Aqueous Ozone Solution

Safety Data Sheet

according to the federal final rule of hazard communication revised on 2012 (HazCom 2012)

Skin corrosion/irritation	: Not classified (Based on available data, the classification criteria are not met)
Serious eye damage/irritation	: Not classified
Respiratory or skin sensitization	: Not classified
Germ cell mutagenicity	: Not classified (Based on available data, the classification criteria are not met)
Carcinogenicity	: Not classified (No carcinogen substances in IARC, NTP or OSHA cited.)
Reproductive toxicity	: Not classified (Based on available data, the classification criteria are not met)
Specific target organ toxicity (single exposure)	: Not classified (Based on available data, the classification criteria are not met)
Specific target organ toxicity (repeated exposure)	: Not classified (Based on available data, the classification criteria are not met)
Aspiration hazard	: Not classified (Based on available data, the classification criteria are not met)

SECTION 12: Ecological information

12.1. Toxicity

Ecology - general : No additional information available

12.2. Persistence and degradability

No additional information available

12.3. Bioaccumulative potential

No additional information available

12.4. Mobility in soil

No additional information available

12.5. Other adverse effects

Effect on ozone layer : No additional information available

Effect on the global warming : No additional information available

Sanzonate Global, Inc. Aqueous Ozone Solution

Safety Data Sheet

according to the federal final rule of hazard communication revised on 2012 (HazCom 2012)

SECTION 13: Disposal considerations

13.1. Waste treatment methods

Waste disposal recommendations : May be disposed of in household waste landfill.

Waste disposal recommendations- Containers : NA

SECTION 14: Transport information

In accordance with DOT

Not regulated for transport

Additional information

Other information : No supplementary information available.

Transport by sea

Not regulated for transport

Air transport

Not regulated for transport

SECTION 15: Regulatory information

15.1. US Federal regulations

EPA/FIFRA (U.S. Environmental Protection Agency/Federal Insecticide, Fungicide, and Rodenticide Act) Regulates ozone generators and their distribution, sale, and use under their device program (includes sanitation by such devices and the conversion of potable water)

15.2. International regulations

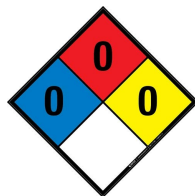
No additional information available

15.3. US State regulations

No additional information available

SECTION 16: Other information

NFPA health hazard/ fire hazard/reactivity : 0 - Normal Material; Exposure under fire conditions would offer no hazard. 0 - Will not burn. 0 - Stable Material. No Specific or Special Hazard.



Last Revision date 03/01/2023

Clean Air Act | US EPA

This product does NOT contain any hazardous air pollutants (HAP), as defined by the U.S. Clean Air Act Title I, Section 112, U.S. Code 7412

Clean Water Act | US EPA

This product does NOT contain any hazardous substances or toxic pollutants, as defined by the Clean Water Act (CWA) and CERCLA, Section 311(b)(2)(A), Table 116.4 and 116.4B

The information provided in this Safety Data Sheet is correct to the best of our knowledge, information, and belief at the date of its publication. The information given is designed only as a guidance for safe handling, use, processing, storage, transportation, disposal and release and is not to be considered a warranty or quality specification. The information relates only to the specific material designated and may not be valid for such material used in combination with any other materials or in any process, unless specified in the text.